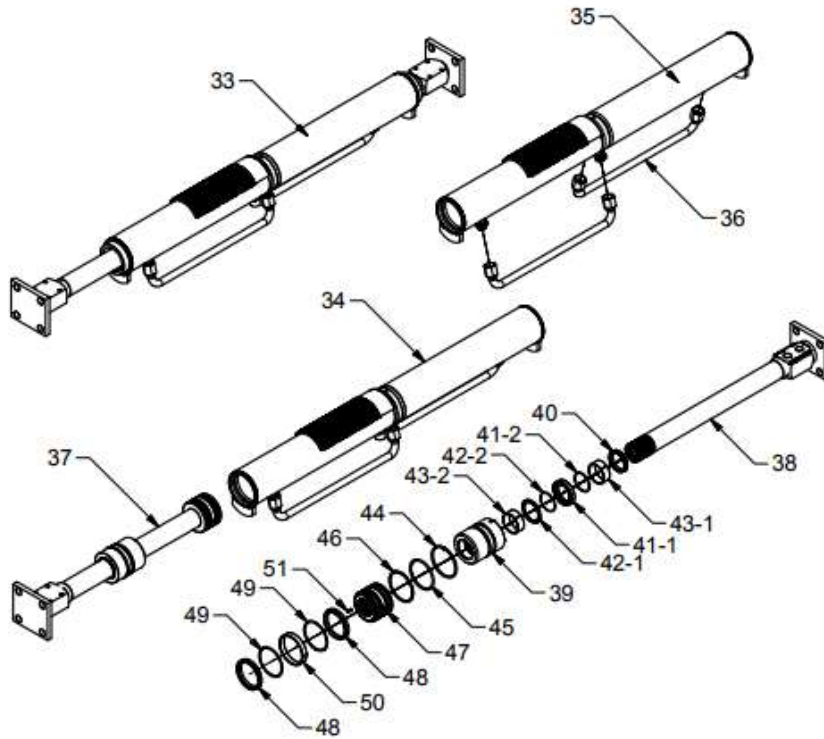


Cylinder Assembly



ID #	QUANTITY	DESCRIPTION	PART NUMBER
Cylinder Assembly			
33	1	Cylinder 3.0" Assembly	04567901
33	1	Cylinder 3.5" Assembly	04568001
-	-	Includes items 34-51	-
34	1	Barrel Assembly 3.0" Cylinder	04560901
34	1	Barrel Assembly 3.5" Cylinder	04561001
-	-	Includes items 35 & 36	-
35	1	Barrel Weld Assembly 3.0" Cylinder	04560601
35	1	Barrel Weld Assembly 3.5" Cylinder	04560701
36	2	Cylinder Cross-Over Tube Assembly	04560801
37	2	Rod W/Piston & Head 3.0" Assembly	02553201
37	2	Rod W/Piston & Head 3.5" Assembly	02553301
-	-	Includes items 38-51	-
38 ⁽¹⁾	1	Rod 45mm W/Block & Plate	02568501

(1) Part numbers and descriptions vary based on drive configuration and application.

Cylinder Assembly

ID #	QUANTITY	DESCRIPTION	PART NUMBER
Cylinder Assembly			
-	1	Head 3.0" Assembly Cylinder	03808501
-	1	Head 3.5" Assembly Cylinder	03811001
-	-	Includes items 39-46	-
39	1	Head 3.0" Cylinder	06372501
39	1	Head 3.5" Cylinder	06375501
40	1	Wiper Rod 45mm	84426605
41-1	1	Seal Rod Cylinder 45mm	84354200
41-2	1	Seal Backup Rod Cylinder 45mm	w/seal
42-1	1	Buffer Seal Rod Cylinder 45mm	84400201
42-2	1	Buffer Seal Back-up Rod Cylinder 45mm	w/Buffer Seal
43-1	1	Wear Ring Rod Cylinder 45mm	84401105
43-2	1	PTFE Wear Ring Rod Cylinder 45mm (Blue)	84401205
-	1	Seal Kit 3.0" Cylinder Metric	06528901
-	1	Seal Kit 3.5" Cylinder Metric	06529001
-	-	Includes items 40-46 & 48-51	-
44	1	Lock Wire 3.0" Head Cylinder	03812102
44	1	Lock Wire 3.5" Head Cylinder	03812104
45	1	O-Ring 232, (3.0" Cyl)	84384200
45	1	O-Ring 236, (3.5" Cyl)	84384600
46	1	O-Ring Backup 8-232, (3.0" Cyl)	84392400
46	1	O-Ring Backup 8-236, (3.5" Cyl)	84392800
-	1	Piston 3.0" Assembly Cylinder	03808101
-	1	Piston 3.5" Assembly Cylinder	03810901
-	-	Includes items 47-51	-
47	1	Piston 3.0" Cylinder	02564801
47	1	Piston 3.5" Cylinder	02553601
48	2	Seal Piston Cylinder 3.0"	84353600
48	2	Seal Piston Cylinder 3.5"	84353800
49 ⁽²⁾	2	Seal Backup Piston Cylinder 3.0" & 3.5"	w/seal
50	1	Wear Ring Piston 3.0"	84404600
50	1	Wear Ring Piston 3.5"	84404800
51	1	Pin Drive Lock 3/16" x 1/2"	86650400
-(3)	1	Old Seal Kit 3.0" Cylinder Metric	03877501
-(3)	1	New Seal Kit 3.0" Cylinder Metric	06528901
-(3)	1	Old Seal Kit 3.5" Cylinder Metric	03877601
-(3)	1	New Seal Kit 3.5" Cylinder Metric	06529001
-	-	Includes items 40-46 & 48-50	-

(2) Backup included with seal.

(3) The seal kit includes all necessary items required to rebuild the entire cylinder. It does not include items such as the Rod or Piston.

* As of date on serial number.